

Pulse counters, electromechanical

Mini counters

5 digits with reset (AC+DC)

W 15



The mini totalisers W 15 are manually resettable and have been designed for various front panel sizes in a wide variety of applications.

They offer an excellent price / performance ratio and are easy to operate.



Characteristics

- 5-digit miniature pulse counter, adding with manual reset.
- Low power consumption.
- Available for all common DC and AC voltages.
- DIN housing 48 x 24 mm available.

Benefits

- Long service life (50 million pulses).
- Ideal for battery operation and electronic switching operations.

Applications

Machines and appliances, battery-powered devices, heat and water consumption measurement, establishing tolls and charges, general quantity counting.

Type series

Description	Panel mount dimensions	Housing	Display	Type	Order information
Panel mount with mounting clip					- Art.-No. - For special voltages, please give type, voltage, kind of voltage and series e.g.: W 15.21, 4.5 V DC/0 black
34 x 23 mm [1.34 x 0.91"]	31 x 20 mm [1.22 x 0.79"]	plastic	front side	W 15.21	
48 x 24 mm [1.89 x 0.94"]	45 x 22 mm [1.77 x 0.87"]	plastic	front side	W 15.51	

Accessories	Dimensions in mm [inch]	Order-No.
Adapter front bezel, 53 x 28 [2.09 x 1.10]	For cut-out 50 x 25 [1.97 x 0.98] to cut-out 45 x 22.2 [1.77 x 0.87], with clip mounting for counters 48 x 24 [1.89 x 0.94]	anthracite T008180
Adapter front bezel, 56 x 40 [2.20 x 1.57]	For cut-out 50 x 25 [1.97 x 0.98] to cut-out 45 x 22.2 [1.77 x 0.87], with screw mounting for counters 48 x 24 [1.89 x 0.94]	anthracite T008181
Adapter front bezel, 72 x 36 [2.83 x 1.42]	For cut-out 68 x 33 [2.68 x 1.30] to cut-out 45 x 22.2 [1.77 x 0.87], for counters 48 x 24 [1.89 x 0.94], as set	black and silver anodised 162704 Set
Adapter front bezel, 48 x 48 [1.89 x 1.89]	For cut-out 45 x 45 [1.77 x 1.77] to cut-out 45 x 22.2 [1.77 x 0.87], with clip mounting for counters 48 x 24 [1.89 x 0.94]	black T008883
Adapter front bezel, 60 x 50 [2.36 x 1.97]	For cut-out 54 x 29 [2.13 x 1.14] to cut-out 45 x 22.2 [1.77 x 0.87], with screw mounting and gasket for counters 48 x 24 [1.89 x 0.94]	black N003001
Transparent cover, lockable, IP65	For cut-out 54 x 29 [2.13 x 1.14], for screw mounting to front bezel F1B or adapter front bezel N003001, for counters with cut-out 50 x 25 [1.97 x 0.98] or 45 x 22.2 [1.77 x 0.87]	N003002
Sealing cover type K1, IP65	Suitable for front bezel 60 x 50 [2.36 x 1.97] for screw mounting of electromech. counters and via adapter front bezel N003001, for counters 48 x 24 [1.89 x 0.94]	G008301
Mounting frame with cut-out 50 x 25 [2.36 x 1.97] via separate adapter also for 45 x 22.2 [1.77 x 0.87]	For snap-on mounting on 35 [1.38] top-hat DIN rail, for counters 53 x 28 [2.09 x 1.10] and via separate adapter (T008180) for counters 48 x 24 [1.89 x 0.94]	chromated G300004

Suitable gaskets as well as further accessories can be found in the accessories section or in the accessories area of our website at: www.kuebler.com/accessories.

Pulse counters, electromechanical

Mini counters	5 digits with reset (AC+DC)	W 15
----------------------	------------------------------------	-------------

Technical data		
Electrical connection	Standard	flying leads, AWG 22 approx. 150 mm [5.91"] \varnothing 0.34 mm ² , 6 mm [0.24"] stripped wire ends, tinned
Rated voltage	type 05 (8 Hz) type 0 (10 Hz) type a0 (10 Hz)	1.5 / 3 / 4.5 / 5 / 6 / 12 V DC (+15%, -5%) 12 / 24 / 48 / 115 / 230 V DC \pm 10% 12 / 24 / 48 / 115 / 230 V AC, \pm 10%
Cycle duration factor		100 %
Height of figures		approx. 4 x 1.7 mm [0.16 x 0.067"]
Colour of figures		white on black
Counting mechanism shaft		stainless steel
Operating temperature		-10°C ... +50°C [+14°F ... +122°F] (non-condensing)
Mounting position		any
Operating life		> 50 x 10 ⁶ pulses
Protection		IP40 (front side)
Weight		approx. 52 g [1.83 oz]

Options		
Electrical connection		<ul style="list-style-type: none"> - pin \varnothing 1.5 mm with push on connectors (Art.-No.: 1.151.X1X.XXX) - with flat pin 0.8 x 2.8 mm [0.032 x 0.11"] and flat push on connectors (Art.-No.: 1.159.X1X.XXX) - with flat pin 0.8 x 6.3 mm [0.032 x 0.25"] and flat push on connectors (Art.-No.: 1.155.XXX.XXX) - with screw terminal (Art.-No.: 1.154.XXX.XXX.023)
Colour of housing (availability see table)	grey black	Art.-No.: X.XXX.XX0.XXX Art.-No.: X.XXX.XX1.XXX
Extended temperature range		on request

Pulse counters

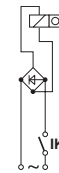
Connection diagram

type
0 a.1, DC



IK = Pulse contact

type
a, AC



Type / Counting mechanism						
Voltage	Type	Pulse frequency max.	Pulse on time min.	Pulse interval min.	Power consumption approx.	Permi. residual ripple max.
V DC	05	8 Hz	50 ms	75 ms	130 mW	5 %
V DC	0	10 Hz	50 ms	50 ms	0.5 W (\leq 115 V) 1 W (185 V)	48 %
V AC	a0	10 Hz	50 ms	50 ms	0.75 VA (\leq 115 V) 1.5 VA (230 V)	–

Pulse counters, electromechanical

Mini counters

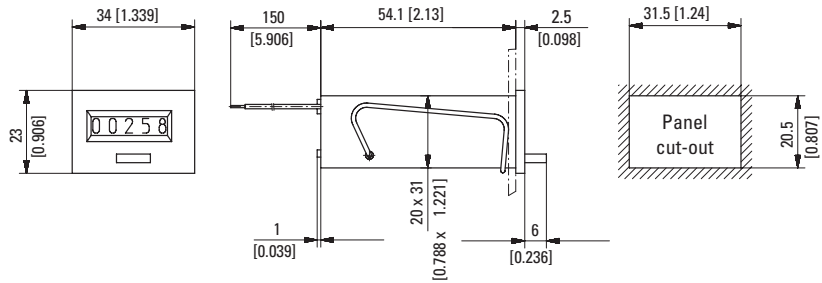
5 digits with reset (AC+DC)

W 15

Panel mount with mounting clip

Panel mount dimensions 31 x 20 [1.22 x 0.79]

Type W 15.21



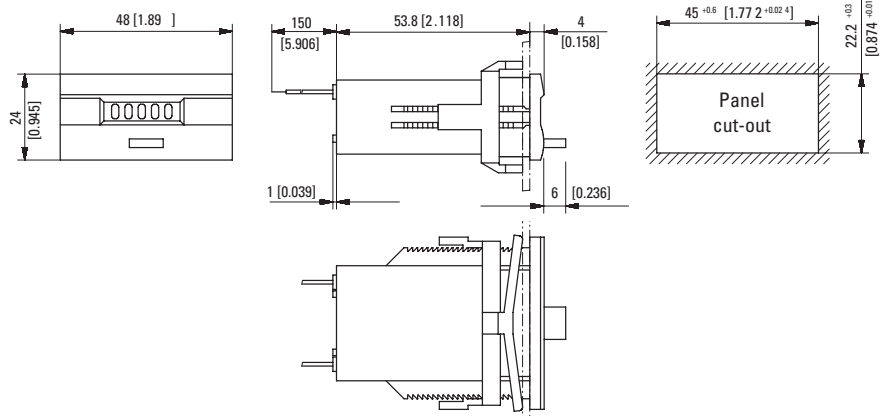
Colour of housing black: Art.-No. 1.150.211.XXX

Type	Voltage	Display	Art.-No.				Further stock types:
			12 V	24 V	115 V	230 V	
W 15.21	DC (8 Hz) / 05	5 digits	1.150.210.049	1.150.210.050			1.150.211.012 12 V DC/0 sw 1.150.211.013 24 V DC/0 sw 1.150.211.056 230 V AC/a0 sw
	DC (10 Hz) / 0		1.150.210.012	1.150.210.013 ¹⁾			
	AC (10 Hz) / a0			1.150.210.051	1.150.210.054	1.150.210.056 ¹⁾	

Panel mount with mounting clip

Panel mount dimensions 45 x 22 [1.77 x 0.87]

Type W 15.51



Colour of housing: standard anthracite

Type	Voltage	Display	Art.-No.				
			12 V	24 V	115 V	230 V	
W 15.51	DC (8 Hz) / 05	5 digits	1.150.510.049.550	1.150.510.050.550			
	DC (10 Hz) / 0		1.150.510.012.550 ¹⁾	1.150.510.013.550 ¹⁾			
	AC (10 Hz) / a0			1.150.510.051.550	1.150.510.054.550 ¹⁾	1.150.510.056.550 ¹⁾	