

CMA062/152

Electromechanical display counters

- 6-digit mini pulse counter without reset or 5-digit with reset
- 12 V, 24 V and 230 V
- Flush mounting with tension spring

From left to right: CMA152, CMA062



		CMA062		CMA152	
Mounting	Surface mounting for DIN rail				
	Flush mounting	•	•	•	•
	Machine solderable and washable, plugable on circuit board				
Reset	Without reset	•			
	With reset		•	•	•
	Manual and electrical reset				
	Down counting, manual and electrical reset				
Counting capacity	99999		•	•	•
	999999	•			
	9999999				
	99999999				
	99999.99 h, decimal places in red DC 999999.99 h / AC 99999.99 h, decimal places in red				
Connections	Stranded wire 150 mm	•	•	•	•
	Fast-on connectors 2.8 × 0.8 mm				
	Connection terminals 2 × 2.5 mm ²				
	Solder pins 0.4 × 1.2 mm				
	Round pins 1.5 mm				
Operating voltage	12 VDC		•		
	24 VDC	•		•	
	220...240 VAC				•
Order no.		CMA062M4N0N0N00	CMA152M1N0N0N00	CMA152M4N0N0N00	CMA152E1N0N0N00

Applications

- Machines and appliances, devices with battery operation, heat quantities and water consumption measurement for display charges and general quantity counting

Settings



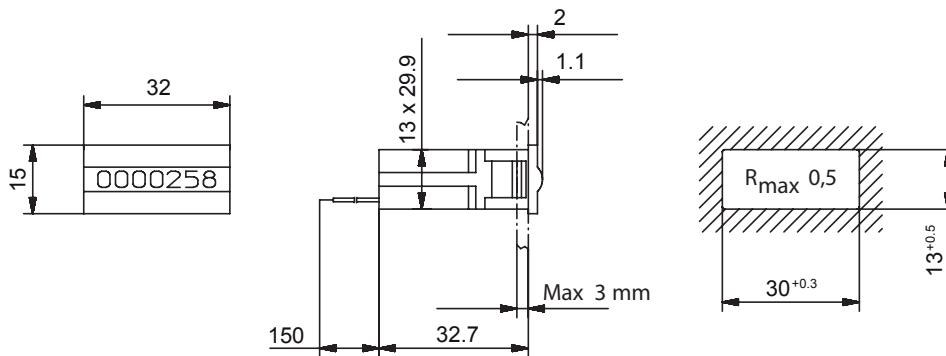
Reset key

Technical data

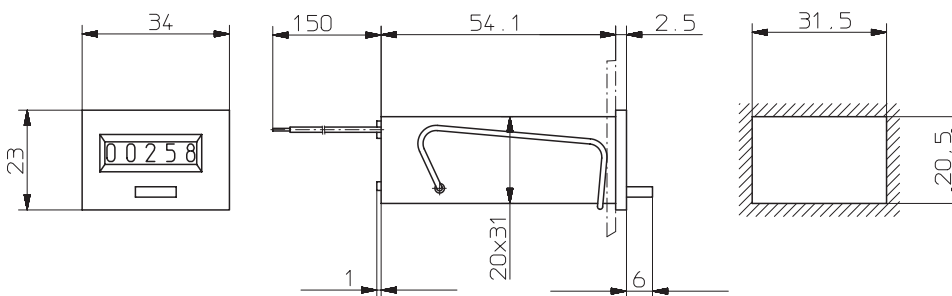
Counting capacity	CMA062 without reset 999 999	CMA152 with manual reset 99999
Counting direction	Up	
Counting frequency	Max. 10 i/s (counting pulse at least 50 ms)	
Display	Dials, white figures on black background, approx. 1.7 × 4 mm	
Operating voltage	12 VDC, 24 VDC ± 10%, max. residual ripple 48%	
	230 VAC, 10 %	
Power consumption	0.5 W (DC) or 1.5 VA (AC)	
Duty cycle	100 %	
Pulse generator	Contacts, electronic sensors NPN/PNP (AC)	
Service life	Min. 50 million. counting pulses	
EMC/immunity to interference	DIN IEC 61 000-6-2	
EMC/noise emission	DIN IEC 61 000-6-3	
Protection class	Front IP 40	
Ambient temperature	-10 °C to +50 °C, no condensation	
Mounting position	Any	
Housing colour	Light grey	
Dimensions	Front dimensions and switchboard section see dimension diagram	
Connections	Stranded wire AWG 22, approx. 150 mm long	

Dimension diagrams

CMA062, without reset, flush mounting, mounting with tension spring



CMA152, with manual reset, flush mounting, mounting with tension spring



Scope of delivery

- electromechanical display counters
- tension spring